



### Description

The G2100 sound-powered handset works without power supply, only with the energy generated by the voice.  
In thermoformed material, it is designed for industrial applications

### Technical Characteristics

- Sound-powered microphone
- Sound-powered earphone
- Calling howler
- Coiled cord output, 4 wires
- Material : thermoformed
- Color : grey

### Environmental Characteristics

- Operating temperature : -40°C to +55°C
- Drop resistance
- Vibration resistance
- RoHS compliant

### Sound powered transducer

A47421

- Technology : -> Electromagnetic
- Isolation for 100VDC : -> 20MΩ
- Connection : -> Terminals

### Microphone

- Impedance at 1000Hz : -> 600Ω
- Efficiency at 600Hz on 600Ω (109dB / 6mm) : -> 17mV ±4dB

### Earphone

- Impedance at 1000Hz : -> 600Ω
- Sensitivity at 1000Hz (at 1mW) : -> 130dB
- Maximum power : -> 300mW

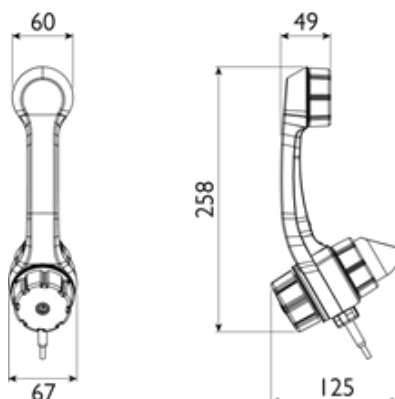
### Calling howler

G629

- Power at 1000Hz : ≤ 1,12W
- Short-circuit current : ≤ 47mA
- Output voltage between 1 and 3 : 5,1V ± 10%

### Dimensions (in mm)

- Output cord : 85cm at 280cm
- Weight : ~630g



### Wiring

Unpolarized wiring on two conductors (brown blue)



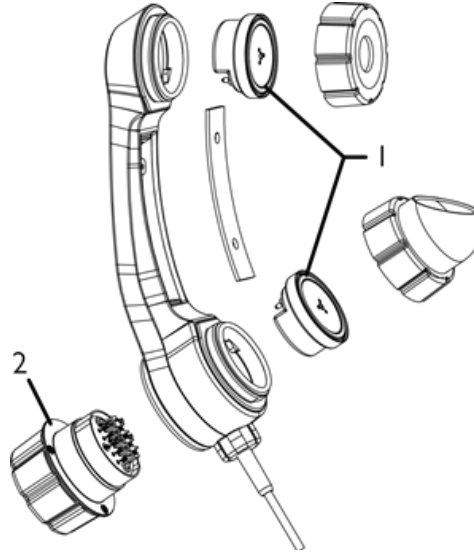


FACTEM

G2100

Sound-powered handset

Spare parts



Landmark	Designation	Reference	NSN
1	Sound-powered transducers 600Ω	A47421	7329-321-14-5965
2	Calling howler	G629	5118-460-14-5805

Accessories

Designation	Reference	NSN	I.A.
Suspension ring	G50613	-	-
SP4 113 contacts Jack	SPI13	2182-208-14-5935	FJ3A
Junction box for SPI13	MG392	-	-
Plug 3 contacts	SPI186	-	-
Junction box for SPI186	MG391	2555-545-14-5805	-

In the same range

Name	Characteristics
G2100U	SPI186 plug
G2100D	SPI13 jack plug
G2100P	Suspension ring
G2100PU	SPI186 plug - Suspension ring
G2100PD	SPI13 jack plug - Suspension ring

HEADQUARTERS

32, route de Caen - BP 61530  
14406 Bayeux Cedex

Tel : +33 2 31 51 27 51 / Fax : +33 2 31 51 67 46



SALES OFFICE

8, rue Édouard Naud  
92130 Issy les Moulineaux  
FRANCE

FACTEM 2017 © • All rights reserved. This leaflet cannot be considered as a contractual specification.

FTH-0004-EN-02